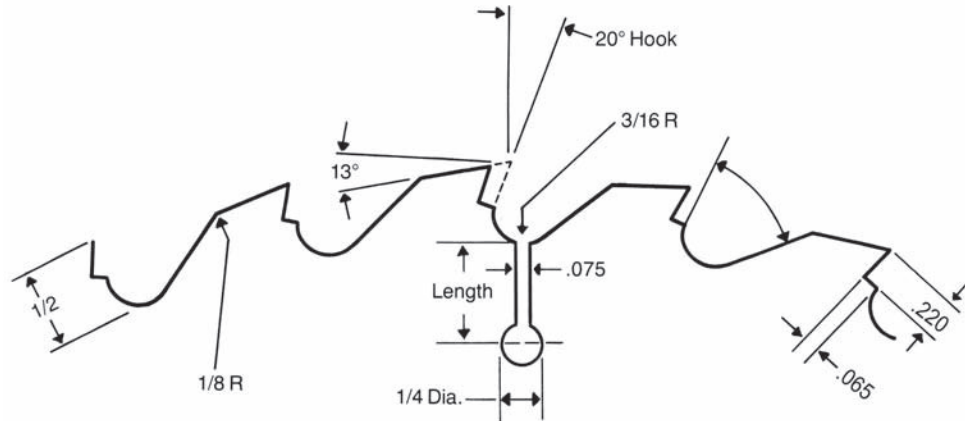


Custom Saw Body Quote/Order Specification Sheet



Copy and fax this form to get fast price and delivery info. **and** place your orders. (* = Required info. shaded)

Customer Name*		Date		P.O. #	
Contact Name			Phone		
Order Quantity*		Previous Part No.		Price*	
Diameter*	Thickness*	Center Hole*		Number of Teeth*	
Hook Angle*			Style of Expansion Slots*		
Gullet Angle			Number of Slots*		
Gullet Depth			Width of Slots		
Gullet Radius			Length of Slots		
Backoff Radius			Slot Base Hole Dia.		
Seat Pocket Width*			Seat Pocket Length*		
Pinholes: Number		Hole Dia.		Bolt Circle of Holes	
Keyways: Number		Type		Width	
				Depth	
Outside Slots		"A"		Inside Slots	
				"C"	

Quantity	Price	Delivery
Notes		

Signed _____